

BlueSecure™ Access Point 1840 Installation Guide



Bluesocket, Inc
10 North Avenue
Burlington, MA 01803 USA
+1 781-328-0888

www.bluesocket.com

Document Version 1.0

Copyright Notice

Copyright © 2009 Bluesocket, Inc.

All rights reserved. No part of this document may be reproduced in any form or by any means, electronic or manual, including photocopying without the written permission of Bluesocket, Inc. The products described in this document may be protected by one or more U.S. patents, foreign patents, or pending patents. This document is provided "as is" without warranty of any kind, either express or implied, including, but not limited to, the implied warranties of merchantability, fitness for a particular purpose, or non-infringement. This publication could include technical inaccuracies or typographical errors. Changes are periodically added to the information herein; these changes will be incorporated in new editions of the document. Bluesocket inc. may make improvements or changes in the products or the programs described in this document at any time.

Trademarks

Bluesocket, The Bluesocket Logo, Secure Mobility, BlueView, and BlueSecure are trademarks or registered trademarks of Bluesocket, Inc. Bluetooth is a trademark owned by Bluetooth SIG, Inc., U.S.A. and is licensed to Bluesocket, Inc. All other trademarks, trade names and company names referenced herein are used for identification purposes only and are the property of their respective owners.

Table of Contents

I.	Overview	4
II.	Familiarizing Yourself with the BSAP-1840 Hardware.....	5
III.	Provisioning Your Bluesocket WLAN for BSAPs.....	8
IV.	Selecting a BSAP Installation Location	11
V.	Wall Mounting the BSAP-1840.....	12
VI.	Ceiling Mounting Kit for the BSAP-1840.....	13
VII.	Connecting and Powering the BSAP	16
VIII.	Using the BSAP Command Line Interface (CLI)	18
IX.	General Specifications.....	24

I. Overview

The BlueSecure Access Point 1840 is an 802.11n-based “thin” access point that works in conjunction with BlueSecure Controllers (BSCs) for enterprise wireless LAN (WLAN) deployments. The BlueSecure Access Point 1840 features dual radios supporting 802.11a/n and 802.11b/g/n with six external antenna connectors.

BSAPs are simple to configure and require only minimal provisioning to make them operational on a WLAN secured and managed by a BlueSecure Controller

BSAPs can be directly attached to any existing Layer-2 or Layer-3 Ethernet switch and communicate with the BSC across any subnet boundary. Once the BSAP has discovered and established Layer-2 or Layer-3 communication with its home (i.e., host) BlueSecure Controller, advanced configuration and provisioning may be applied either to individual BSAPs or globally across the entire WLAN using the BSC’s web-based Administrator Console.

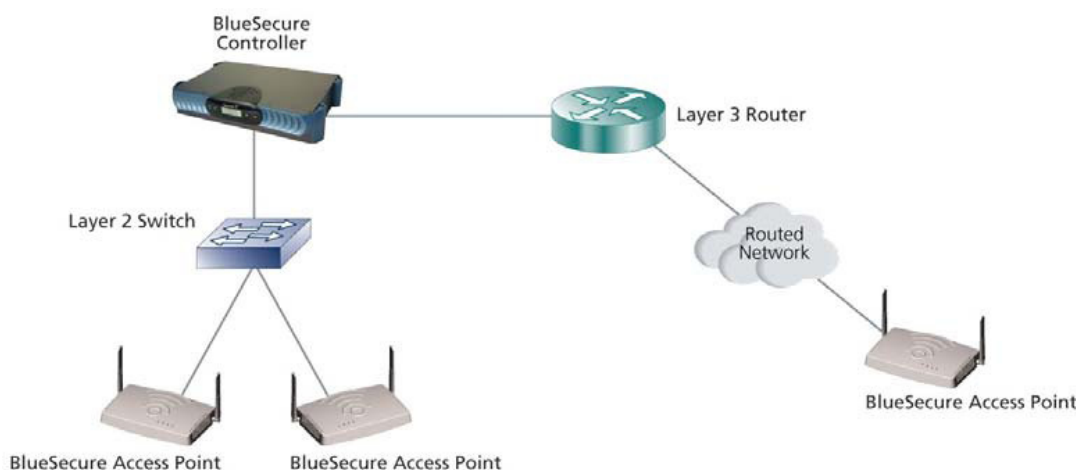


Figure 1: BSAPs Automatically Discover BSCs across L2/L3 Networks

Once the BlueSecure Access Point has downloaded its configuration from the BlueSecure Controller, the BSAP initializes its radios and begins servicing clients.

This guide provides complete installation procedures for your BSAP including:

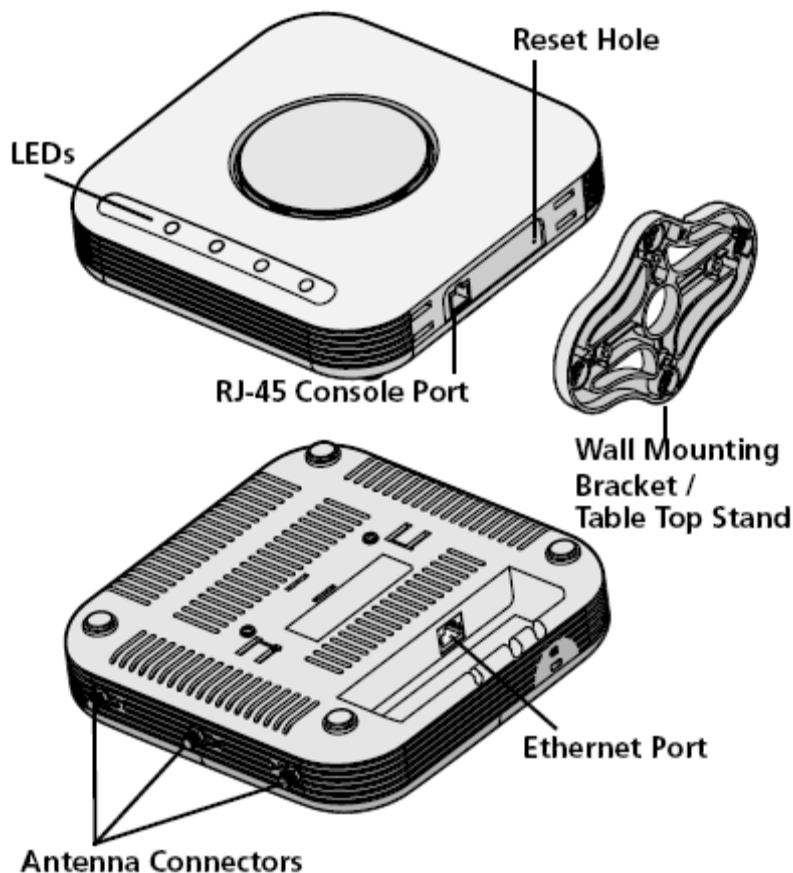
- Familiarizing yourself with the BSAP hardware
- Provisioning your Bluesocket WLAN for BSAPs
- Selecting a BSAP installation location
- Connecting and powering the BSAP
- Using the BSAP command line interface (CLI)

II. Familiarizing Yourself with the BSAP-1840 Hardware

Make sure that you receive the following items in the package:

- 1 - BSAP-1840
- 1 - Wall-mounting Hardware (Wall/table bracket/stand, 4 screws, 4 wall anchors)
- 8 - Adhesive rubber feet
- 1 - Ceiling mounting Hardware

Please spend a few minutes familiarizing yourself with the BSAP-1840 enclosure.



Antennas Connectors

The BSAP-1840 has 6 external reverse SMA connectors (diagram above only shows 3) for wireless communications. There are three connectors for each band which are clearly marked as 2.4Ghz or 5Ghz on the chassis.

LED Indicators

The following LED indicators are located on the top of the BSAP-1840 housing.

Table 1: Status and Radio LED Definitions

Status	2.4Ghz LED	5Ghz LED	Description
Amber Solid	Off	Off	Initial power-up
Green Solid	Off	Off	Initializing software and acquiring an IP address
Green Blink	Off	Off	Discovering Bluesocket controller
Green Solid	Green Solid/Blink	Green Solid/Blink	Radios Activated and passing traffic
Orange Solid	Off	Off	Software Upgrade

Table 2: Network LED Definitions

Network LED	Description
Off	No Link Detected
Amber - ON	10/100 Link Detect with No Activity
Amber - Blinking	10/100 Link Detect with with Activity
Green - ON	1000 Link Detect with No Activity
Green - Blinking	1000 Link Detect with with Activity

The BSAP does not have a power switch. It's powered on when connected to an optional external DC power adapter (BSAP-PWR-000-00-1), and the power adapter is connected to an AC power source. The BSAP power adapter automatically adjusts to any voltage between 100-240 volts AC at 50 or 60 Hz. No voltage range settings are required.

The BSAP may also receive Power over Ethernet (PoE) from a model BSC-600/1200 Controller, PoE injector (BSAP-POE-001-00-0), switch or other network device that supplies power over the network cable based on the IEEE 802.3af standard.

Ethernet/PoE Connector

The BSAP-1840 has one auto-sensing 10BASE-T/100BASE-TX/1000BaseT RJ-45 connector that can be attached directly to 10BASE-T/100BASE-TX/1000BaseT switches to provide a full-duplex link. These segments must conform to the IEEE 802.3 or 802.3u specifications.

This connector uses an MDI (i.e., internal straight-through) pin configuration. You can use straight-through twisted-pair cable to connect this port to most network interconnection devices such as a switch or router that provide MDI-X ports. This connector will sense the correct wiring polarity, so no crossover cable is required.

The BSAP appears as an Ethernet node and performs a bridging function by moving packets from the wired LAN to remote workstations on the wireless infrastructure.

The Ethernet/PoE RJ-45 connector also supports Power over Ethernet (PoE) based on the IEEE 802.3af standard.

802.3af specifies Power over Ethernet for “mid-span”, where a PoE injector is located in the path between the network and the AP, as well as “PSE”, where the power is supplied by the network switch the AP is attached to. Mid-span devices typically provide power on the unused pairs (4+5 & 7+8) and only provide 100Mbps maximum throughput. To realize the full benefit of 802.11n, the BSAP-1840 should be connected to a Gigabit Ethernet PoE switch or injector, such as Bluesocket model BSAP-POE-001-00-0.

Reset Button

Use this button to reset the BSAP or restore its factory default configuration. If you hold down the button for less than 5 seconds, the BSAP will perform a hardware reset. If you hold down the button for 5 seconds or more, any configuration changes you may have made are removed, and the factory default configuration is restored to the BSAP.

Serial Console Port

Use this port to connect a console device to the BSAP-1840 via special rollover serial cable. The console device can be a laptop running a program like Tera-Term or Hyper-terminal. The default settings are 115200, 8 data bits, no parity (N), and 1 stop bit (no flow control).

Kensington Security Slot

The BSAP includes a Kensington security slot on the side panel. You can prevent unauthorized removal of the BSAP by wrapping a Kensington security cable (not provided) around an unmovable object, inserting the lock into the slot, and turning the key.

III. Provisioning Your Bluesocket WLAN for BSAPs

There are prerequisites that must be met before deploying BSAPs in a live network environment. These prerequisites ensure that the BSAPs are able to discover and connect to a BlueSecure Controller. Implementing these prerequisites also relieves you from needing to manually configure each BSAP-1840.

The deployment prerequisites for BSAPs are:

- **BSAP IP Address** - Each BSAP requires a unique IP address.
- **Host BlueSecure Controller IP Address** - Each BSAP also needs the IP address of the host BSC to which it will connect and from which it will obtain its software image and configuration.

This section describes how to provision your Bluesocket WLAN when deploying BSAPs:

- On the same Layer-2 subnet as the BSC
- Across a routed network with Layer-3 connectivity to the BSC

Deploying BSAPs on the Same Layer-2 Subnet as the BSC

If the BSAPs are on the same subnet as the home BlueSecure Controller, you can run a DHCP server on the BSC to manage IP address assignment to BSAPs. In this scenario, the BlueSecure Controller must be the only DHCP server for the subnet.

Alternatively, you can configure the BlueSecure Controller to run a DHCP relay agent to relay DHCP communications between the BSAPs and a DHCP server on your network.

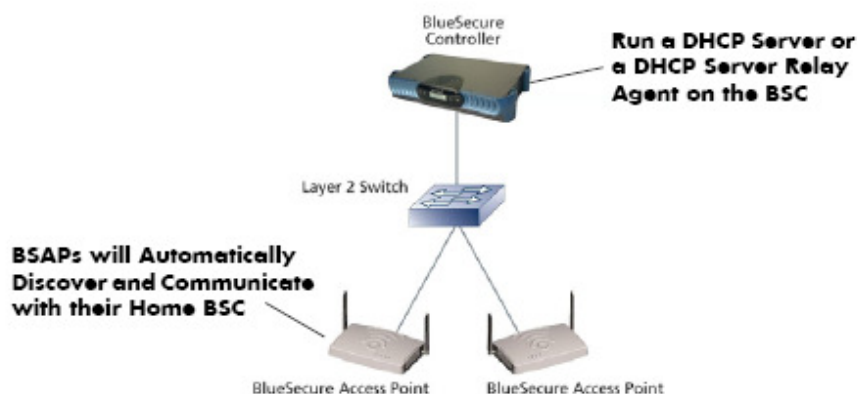


Figure 2: Deploying BSAPs on the same Layer-2 subnet as the BSC

When you run a DHCP server or a DHCP relay agent on the BSC to assign IP addresses to BSAPs on the managed side, the BSC will also pass its IP address to the BSAPs automatically using vendor-specific option 43. The BSAP will then connect to the IP provided by the DHCP vendor option as its host BSC.

See the *BlueSecure Controller Setup and Administration Guide* for detailed DHCP server and DHCP relay agent configuration procedures.

In this deployment scenario, simply connect and power on the BSAPs. They will automatically discover and communicate with their home BSC.

Deploying BSAPs with Layer-3 Connectivity to the BSC

You can also deploy BSAPs on a routed network with Layer-3 connectivity to the BSC

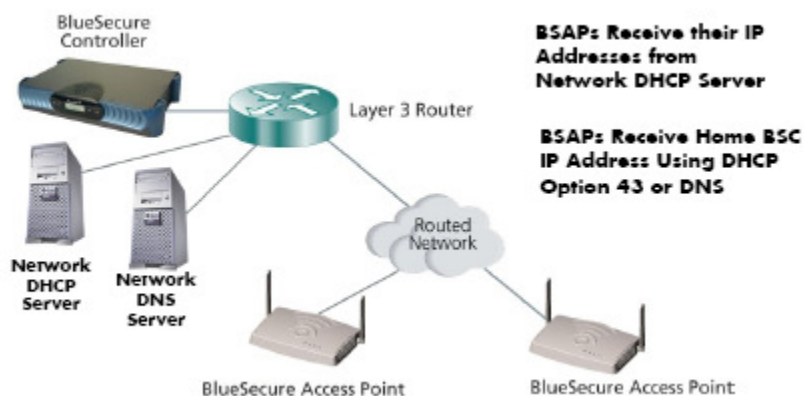


Figure 3: Deploying BSAPs across a routed network

In this deployment scenario, you must ensure that each BSAP is able to communicate with the BSC across the routed network by verifying that:

- There are no NAT devices between the BSAPs and the BSC
- Protocol 97, UDP Port 53 (DNS), and TCP/UDP Port 33333 traffic is allowed between the BSAPs and the BSC

Each BSAP will receive its IP address from your existing network DHCP server.

The BSAP also needs the IP address of the home BSC to which it will connect and from which it will obtain its software image and configuration. Again, this is not needed if the BSAP is on the managed side getting a relayed IP address from the BSC. You can provide the home BSC IP address to a BSAP using one of the following methods:

- **DHCP Server Option 43**

You can manually configure the DHCP server on your network to send BSC IP addresses to BSAPs using DHCP vendor-specific option 43.

In DHCP requests sent from the BSAP, the BSAP uses option 60 Vendor class identifier with a value of BlueSecure.AP1500 to identify itself to the DHCP server (Note that all BSAPs —1500,1540, 1800, and 1840 —identify as AP1500 for option 43).

Option 43 is configured as a comma-separated list, for example
"192.168.100.23,192.168.100.98,F192.168.100.25 "

Here the "F" denotes failover BSC. If all the primary BSCs fails (those without F in front of their IP), the AP associates to the failover BSC.

Refer to the documentation supplied with your DHCP server when configuring vendor-specific option 43

- **DNS Server Configuration**

BSAPs are factory configured with apdiscovery as the DNS hostname. You can configure a DNS server on your network with an entry for apdiscovery with the home BSC Controller IP address as the resolution.

To configure this, add a NAME record to the DNS server for apdiscovery (at the domain server that the BAP will receive). Point this name to one or more BSC IP addresses (managed, protected or VLAN depending on the network configuration).

So for example, if there are two BSCs (192.168.100.23 and 192.168.100.28), and the domain is customer.com, add two NAME records to customer.com, for the name apdiscovery.customer.com. One should resolve to 192.168.100.23 and one to 192.168.100.28. PTR (i.e., pointer) records are not needed for this portion of discovery.

IV. Selecting a BSAP Installation Location

BlueSecure Access Points should be positioned for maximum throughput and range between other BSAPs and wireless client devices. Normally, you should locate the BSAP on the ceiling away from obstructions.

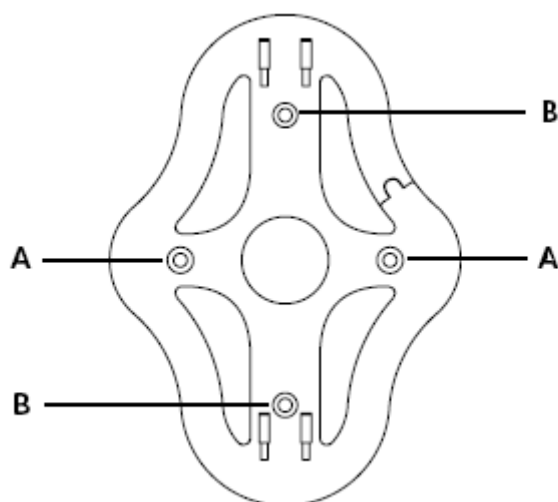
Range and performance are dictated by the distance between the BSAP and client radios, and by obstacles that may be present in a specific building or office environment. The following positioning guidelines are suggested:

- Document all the BSAPs and client devices you wish to include in your wireless network. Record the MAC address, serial number, and placement of each BSAP.
- Wired LAN and power connections must be available for each BSAP at the desired installation location. If a power outlet is not available near the access point, mid-span power inserters are recommended.
- If building blueprints or floor plans are available, use them to define potential client device locations and likely roaming areas.
- Identify possible obstacles or sources of interference that could affect signal strength (for example, walls, metal objects).
- Install the BSAP in an area where large steel structures such as beams, pillars, shelving units, bookcases, and filing cabinets do not obstruct radio signals to and from the BSAP.
- Once BSAPs have been installed and configured, use site survey and monitoring utilities supplied with the client adapters to test signal strength at various locations. Modify the positioning of the BSAPs and client stations as required for optimum performance.

V. Wall Mounting the BSAP-1840

Use the white plastic mounting bracket that comes with the BSAP-1840 to install the AP on a wall or electrical box. To mount the BSAP-1840, follow these steps:

1. Screw the mounting bracket to the wall or electrical box.
2. If mounting to drywall, use the four screws and the four wall anchors.
3. If mounting to a US electrical box, use two threaded screws and insert into the holes marked "B" in the diagram shown below:



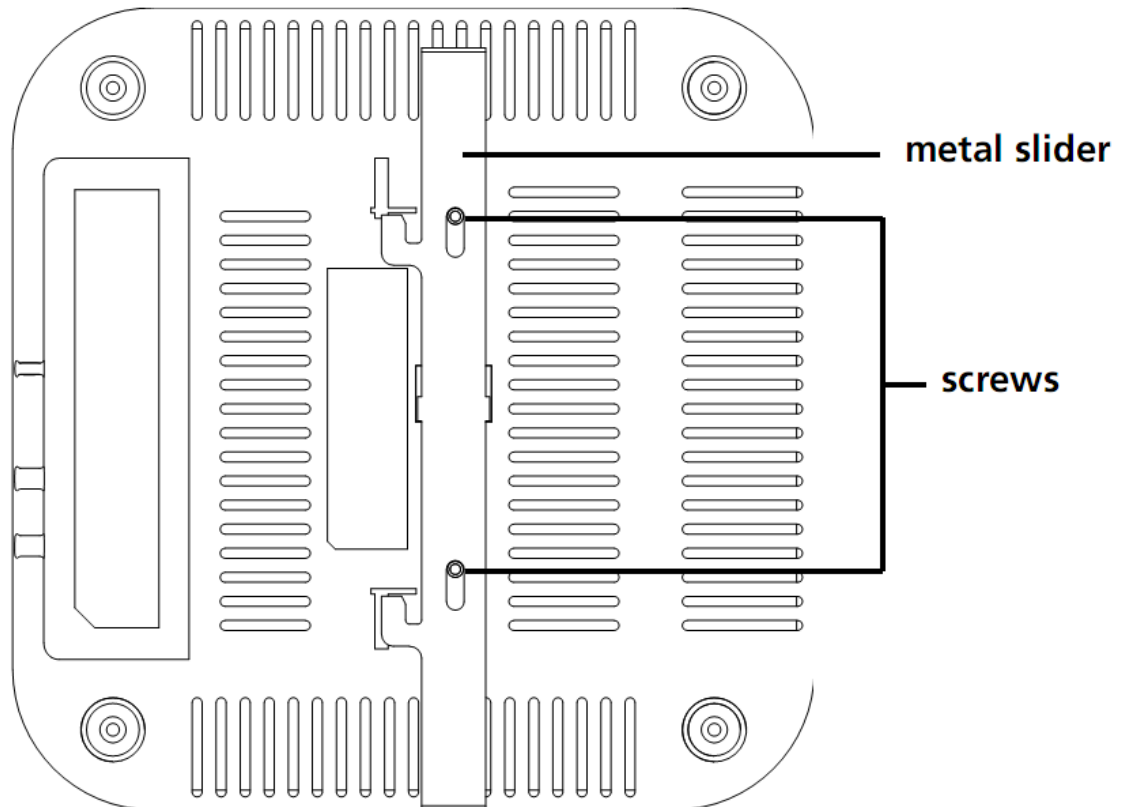
4. Connect the Ethernet cable (for power and network connection) to the port on the back of the BSAP-1840.

VI. Ceiling Mounting Kit for the BSAP-1840

The BSAP-1840 also comes with a ceiling mounting kit that enables the AP to be mounted on the T-bar of standard drop ceilings.

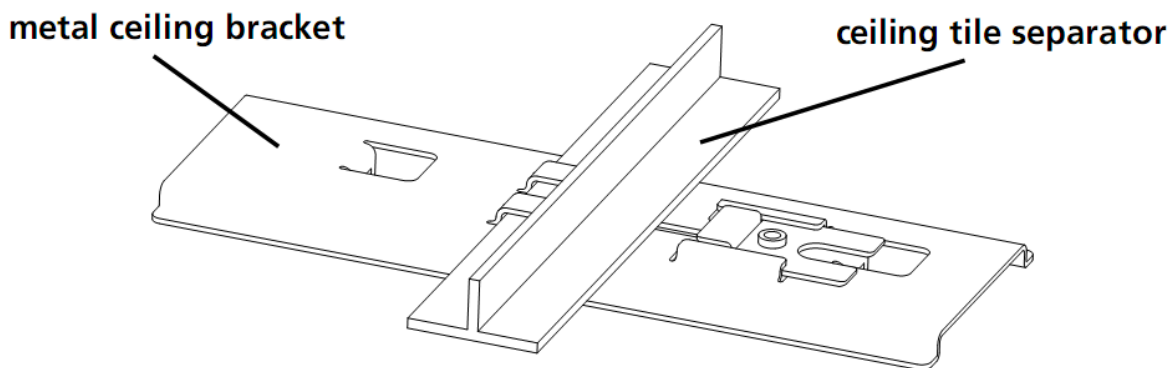
To mount the BSAP-1840:

1. Attach the metal slider to the back of the BSAP-1840 using the two small screws. The slider should still be able to slide after the screws are tightened.

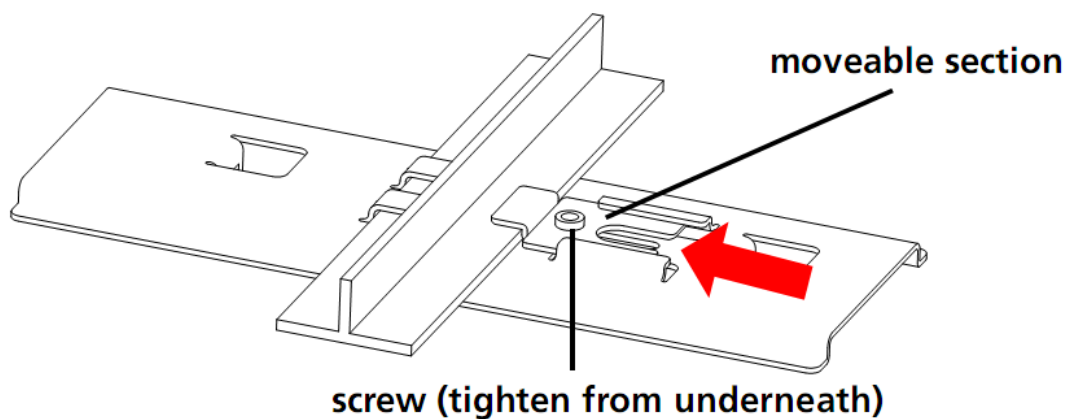


Make sure that the slide is in the left position as shown above.

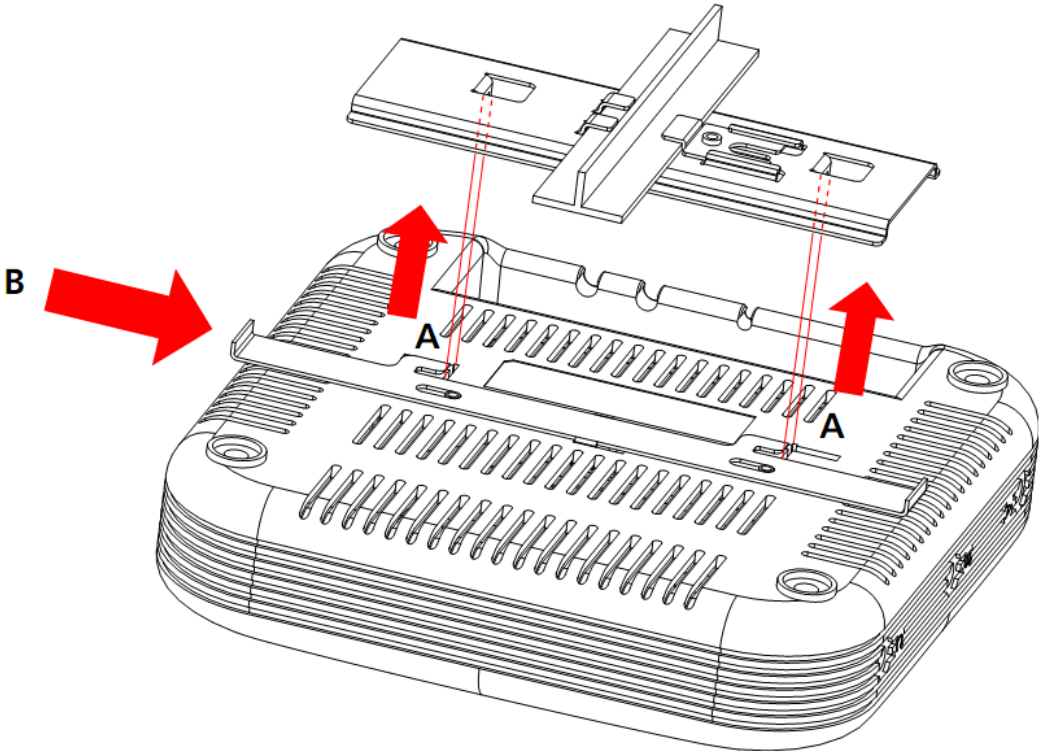
2. Clip the metal ceiling bracket to a suitable location on the ceiling tile separator.



3. Slide the moveable section into place and tighten the screw (found underneath) to secure it.



4. Position the BSAP-1840 so that the two tabs from the ceiling bracket locate in the slots in the BSAP-1840 (A), then slide the slider across to lock the BSAP-1840 to the bracket (B).



VII. Connecting and Powering the BSAP

Follow these instructions to connect your BlueSecure BSAP to your Bluesocket WLAN and then power it up:

1. Make a note of the 12-character MAC address and the serial number listed on the back of the BSAP-1840 before mounting the BSAP to a wall or other surface. You will need this information during configuration.
2. Position the BSAP-1840 for best radio performance.

The BSAP-1840 should be placed where it has the best unobstructed view of the coverage area. If possible, mounting the BSAP-1840 on the ceiling will provide the best performance in a typical office environment. For more information, please refer to Bluesocket's web site.

3. The BSAP derives its operating power directly from the RJ-45 connector when connected to a device that provides IEEE 802.3af compliant Power over Ethernet (PoE).

Caution: If the BSAP is used in a medical environment, it must use an IEC/EN60601-1 compliant power adapter. See

General Specifications for a description of the IEC/EN60601-1 compliant power adapter.

Verify that the PWR LED stops flashing and remains on, and that the other status LEDs start functioning as described in the section entitled

LED Indicators.

4. Connect the BSAP to your Bluesocket WLAN.

You can connect the BSAP-1840 to a 10/100/1000 Mbps Ethernet through a network device such as a hub or a switch, or to a 1000BaseT Gigabit Ethernet interface. Connect the RJ-45 Ethernet connector on the BSAP's back panel to your network using category 5 UTP Ethernet cable. When the BSAP and the connected device are powered on, the BSAP's Ethernet Link LED should light indicating a valid network connection.

VIII. Using the BSAP Command Line Interface (CLI)

Note: Normally you will not need to access the BSAP CLI. In a properly provisioned Bluesocket WLAN, the BSAP will automatically discover and communicate with the BSC. We recommend that you use the CLI to configure the BSAP only in a lab or test environment, or where a pre-defined static IP address is desired.

You can connect to the serial console port or the Ethernet port to perform local configuration of the BSAP using its command line interface (CLI). You can use the BSAP's CLI to manually configure:

- BSAP's Network Configuration (IP address, Default Gateway)
- IP address of the home BSC from which the BSAP will download its configuration and software image
- Site survey mode

Accessing the BSAP CLI via serial port

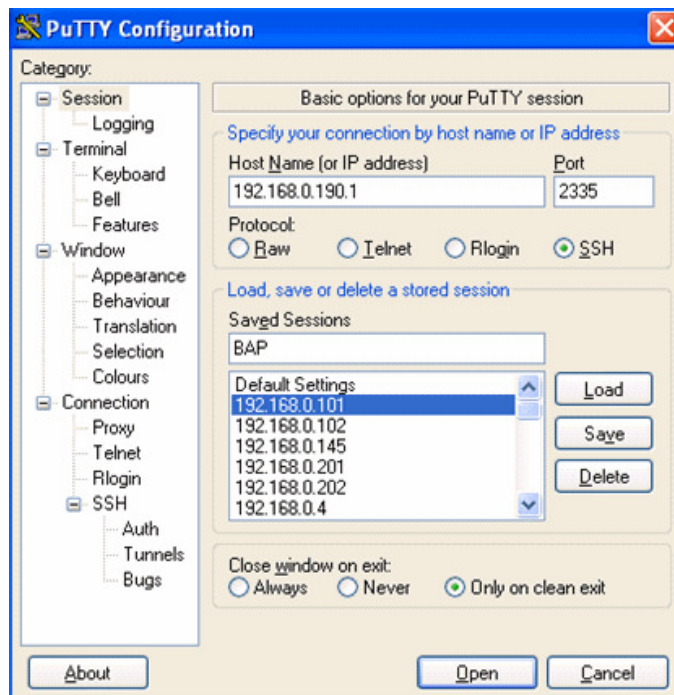
Connect the special serial DB-9 to RJ-45 serial cable (rollover cable) to the BSAP-1840 serial port.

1. Run a terminal program on your laptop configured with the following settings:
 - Speed: 115,200
 - Data Bits: 8
 - Parity: None
 - Stop Bits: 1
 - Flow Control: None
2. Initiate the connection to the BSAP CLI

Accessing the BSAP CLI via Ethernet (i.e SSH)

Access the BSAP CLI using an SSH client (the example uses putty) For example:

1. The default management IP address for the BSAP-1840 is 192.168.190.1. Configure your laptop computer to have a static IP address in this same subnet, for example 192.168.190.2.
2. Ping the AP from the laptop to make sure it can be seen.
3. Configure **putty** to use SSH and then connect to the IP address of the AP (by default 192.168.190.1) on port 2335.



4. Enter the following username and password in lowercase at the displayed CLI login prompts:

BlueAP login: **adm1n** (i.e., adm "one" n)

Password: **blue1socket** (i.e., blue "one" socket).

You can change the password from the main menu of the CLI (option f - Change Login Password).

Navigating the BSAP CLI

The BSAP CLI main menu provides access to these options:

- **Network Configuration** - Configure the BSAP's network settings including its IP address and the IP address of the BSC to which it will connect.
- **Save/Apply Configuration** - After you have configured the BSAP's network settings, you must apply them before they become active.
- **Restore Defaults** - Restore the BSAP to its default settings.
- **Show Version Information** - Display BSAP version information.
- **Reboot AP** - After applying the BSAP's configuration settings, you must reboot the BSAP to effect the new configuration.

- **Site Survey Configuration** - In site survey mode, the BSAP beacons known SSIDs on its 802.11a/n and 802.11 b/g/n radios operating at a configurable power level and channel to facilitate a WLAN site survey. Rebooting the BSAP following a site survey, restores the BSAP's existing configuration. See
-
- *Using the BSAP's Site **Survey Mode*** for details on using the BSAP's site survey mode.

When operating in a submenu, press **h** to return directly to the main menu (or home menu). Press **p** to return to the previous menu.

BSAP Default Configuration

The BSAP is shipped with the following default configuration.

IP_ADDR_MODE:	DHCP (0)
IP_ADDR	0.0.0.0
NETMASK	0.0.0.0
GW_ADDR	0.0.0.0
DNS_ADDR	0.0.0.0
WG_ADDR_MODE	Discover BSC (0)
WG_ADDR	0.0.0.0
MNGMT_IP_ADDR	192.168.190.1

The two options for IP address mode are:

- **(0) DHCP** - The BSAP runs a DHCP client and receives its IP address from a DHCP server.
- **(1) Static IP** - You assign the BSAP a static IP address via its CLI.

The two options for WG address mode are:

- **(0) Discover** - The BSAP automatically discovers the IP address of the BSC to which it is to connect.
- **(1) Static Configuration** - Using the BSAP CLI, you will configure the IP address of the BSC to which the BSAP is to connect.

Setting the BSAP and Home BSC IP Addresses Using the CLI

To set the BSAP and Home BSC IP addresses using the CLI:

1. Enter 1 at the BSAP CLI main menu command prompt.

The BSAP CLI network configuration menu appears:

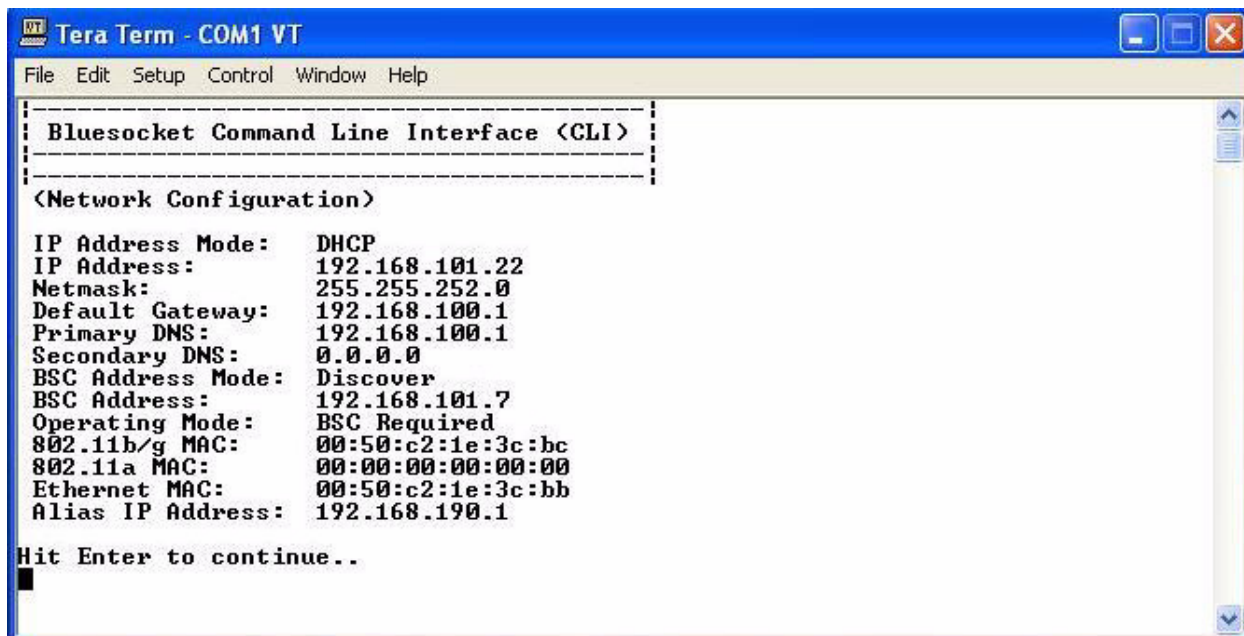


Figure 4: BSAP CLI Network Configuration Menu

2. Enter 1 at the Network Cfg prompt to set the IP address mode.
Enter 1 to set the BSAP IP address mode to static.
3. Enter 2 at the Network Cfg prompt to set the BSAP's IP address.
Enter the BSAP IP address and subnet mask using the format:
<address> netmask <netmask>
5. Enter 3 at the Network Cfg prompt to specify the BSAP's default IP gateway.
5. Enter 4 at the Network Cfg prompt to specify the IP address of the BSAP's primary DNS server.
6. Enter 5 at the Network Cfg prompt to specify the BSC mode, i.e. how the BSAP is to obtain the IP address of its home BSC.
You can set the BSC mode to either Discover or Static BSC.
Enter 1 to set the BSC mode to Static BSC.
7. Enter 6 at the Network Cfg prompt to specify the IP address of the BSAP's home BSC.
8. Enter 8 at the Network Cfg prompt to review the BSAP network configuration settings you have made.
The network summary includes the MAC addresses of the BSAP's Ethernet and wireless interfaces.
9. Enter p at the CLI prompt to return to the main menu.

Enter 2 at the main menu to apply your configuration changes, reboot the BSAP, and put the new configuration settings into effect.

When the BSAP completes its reboot, it will connect to and download its configuration from the home BSC you have configured via the CLI.

Using the BSAP's Site Survey Mode

The BSAP provides a site survey mode that is useful when you are conducting a site survey to determine optimal RF coverage for your facility.

In site survey mode, the BSAP continually beacons the SSID "site_survey_chn#_pwr#" from its 802.11a/n and 802.11 b/g/n radios at a rate of 100 milliseconds. Here are the options to configure site survey mode:

1. Select Option "a" from the main menu to enter the site survey sub-menu.

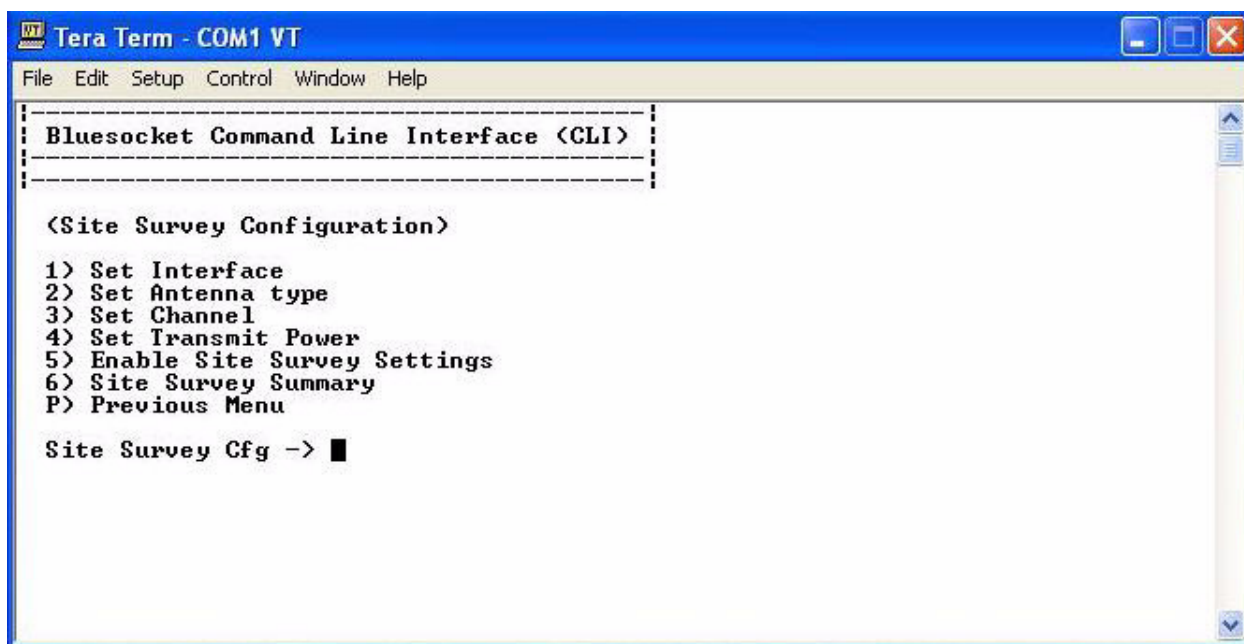


Figure 5: BSAP CLI Site Survey Configuration Menu

2. Select the Interface (11b/g/n or 11a/n) to configure. All the radio settings that are configured after this interface is setup will apply to the configured interface.
3. Set Antenna Type (Doesn't apply to the 1840).
4. Set Channel - channel to transmit the beacons.
5. Set Transmit Power - transmit power of the beacons – levels 0-10.

6. Enable Site Survey Mode – Once you setup the channel and transmit power, the settings are applied once you enable it with this option.
7. Site Survey Summary – View your current site survey settings.

Rebooting the BSAP following a site survey, restores the BSAP's existing configuration.

IX. General Specifications

Power:

Universal Adapter Input Voltage: 12V DC, 1.25A

PoE (DC): Input voltage: 48 volts, 0.32 A

Physical:

Chassis Dimensions (W x D x L): 200 x 200 x 45 mm

Weight: 2 lbs. (0.907 kilograms)

Temperature

Operating: 0 to 45 degrees C (10% - 90% non-condensing relative humidity)

Compliance

- Safety: CB, UL/cUL
- Electromagnetic Compatibility
- FCC Part 15B, 15C and 15E
- CE: EN300 328, EN301893 V1.5.1, EN301 489-1 V1.8.1 /-17, EN55022, EN55024, R&TTE Art 6.4 notification
- IC-RSS-210
- AS/NZS 4268
- EN60601-1-2

Federal Communication Commission Interference Statement

This equipment has been tested and found to comply with the limits for a Class B digital device, pursuant to Part 15 of the FCC Rules. These limits are designed to provide reasonable protection against harmful interference in a residential installation. This equipment generates uses and can radiate radio frequency energy and, if not installed and used in accordance with the instructions, may cause harmful interference to radio communications.

However, there is no guarantee that interference will not occur in a particular installation. If this equipment does cause harmful interference to radio or television reception, which can be determined by turning the equipment off and on, the user is encouraged to try to correct the interference by one of the following measures:

- Reorient or relocate the receiving antenna.
- Increase the separation between the equipment and receiver.
- Connect the equipment into an outlet on a circuit different from that to which the receiver is connected.
- Consult the dealer or an experienced radio/TV technician for help.

FCC Caution: Any changes or modifications not expressly approved by the party responsible for compliance could void the user's authority to operate this equipment. This device and its antenna(s) must not be co-located or operating in conjunction with any other antenna or transmitter.

This device complies with Part 15 of the FCC Rules.

Operation is subject to the following two conditions: (1) This device may not cause harmful interference, and (2) this device must accept any interference received, including interference that may cause undesired operation.

"To reduce potential radio interference to other users, the antenna type and its gain should be so chosen that the equivalent isotropically radiated power (EIRP) is not more than that required for successful communication"

"This device has been designed to operate with an antenna having a maximum gain of 2 dBi. Antenna having a higher gain is strictly prohibited per regulations of Industry Canada. The required antenna impedance is 50 ohms."

"To reduce potential radio interference to other users, the antenna type and its gain should be so chosen that the equivalent isotropically radiated power (e.i.r.p.) is not more than that permitted for successful communication."

FCC /IC Radiation Exposure Statement:

This equipment complies with FCC/IC RSS-102 radiation exposure limits set forth for an uncontrolled environment. This equipment should be installed and operated with minimum distance 20cm between the radiator & your body.

Ant.	Antenna Type	Model Name	Product description	Gain (dBi)	Tx/Rx mode	REMARK
1	Monopole Ant.	TWX-145XRSXX361	2dBi 2.4/5GHz Dual-Band Antenna	2/2	2T3R concurrent	Main Ant. for test
2	Monopole Ant.	IWX-145XRSCX-361	2dBi 2.4GHz Single-Band Antenna	2	2T3R concurrent	N/A
3	Monopole Ant.	KWX-145XRSDX-361	2dBi 5GHz Single-Band Antenna	2	2T3R concurrent	N/A

If this device is going to be operated in 5.15 ~ 5.25GHz frequency range, then it is restricted in indoor environment only.