

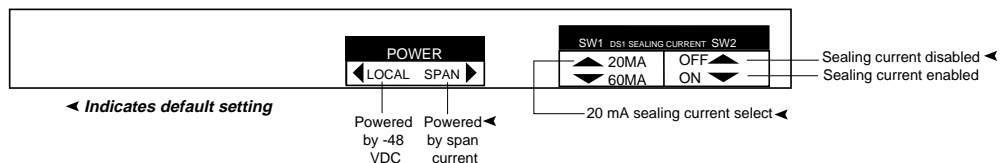
PRACTICES

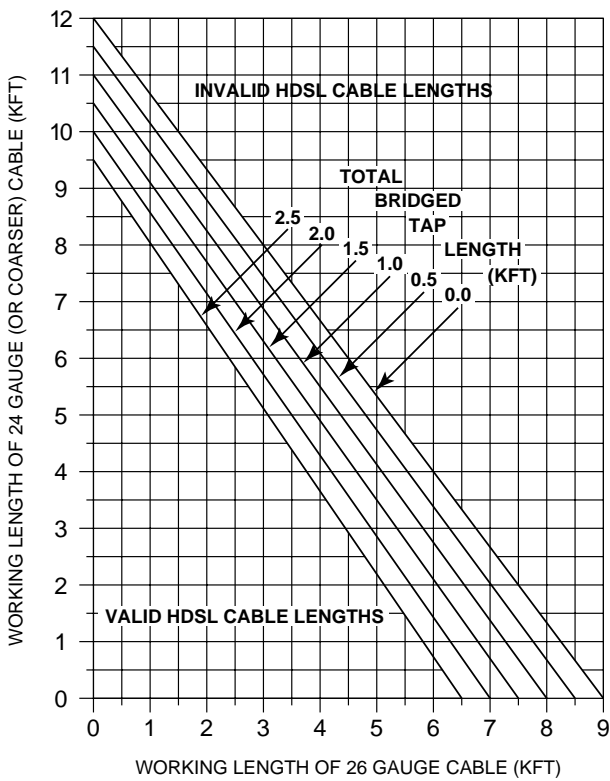
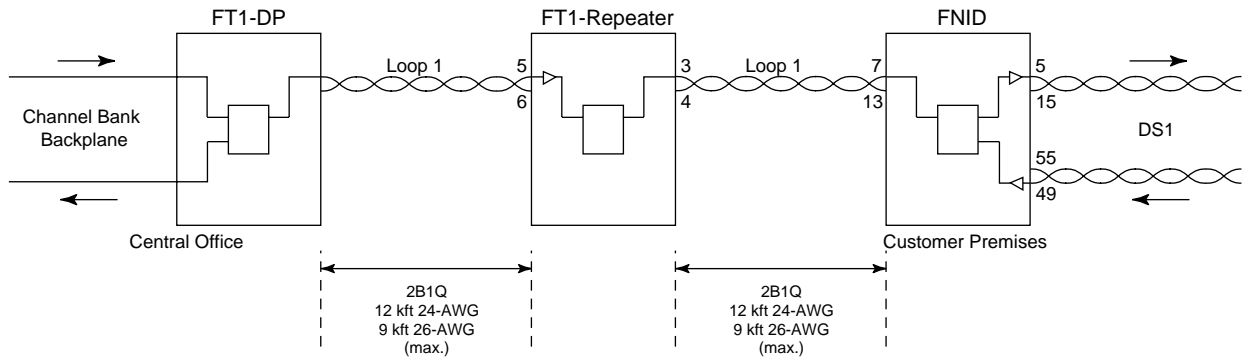
Three eight-position switch packs (SW1, 2, 4) and two four-position switch packs (SW3, 5) are used to configure FT1 DP mode of operation as listed in the table below. Refer to ADTRAN Installation/Maintenance practices for more information.

Option Settings (arrows indicate default settings)

Switch	Function	Description
SW1-1 Closed ► Open	Channel Select Alternate Contiguous	Selects between alternating and contiguous DS0 channels.
SW1-2 Closed ► Open	Auto Code Detect Auto Manual	When this switch is closed, the unit automatically detects the line code as B8ZS or AMI.
SW1-3 Closed ► Open	Manual Code Select AMI B8ZS	When SW1-2 is open, SW1-3 open selects B8ZS line code, while SW1-3 closed selects AMI.
SW1-4 Closed Open	Auto Frame Detect Auto Manual	When this switch is closed, Auto Frame Mode detection is enabled and the unit selects between SF and ESF modes automatically. When open, SW1-5 manually selects the framing mode.
SW1-5 Closed ► Open	Framing Superframe Format (SF) Extended Superframe Format (ESF)	When SW1-4 is open, SW1-5 closed selects SF. SW1-5 open selects ESF.
SW1-6 Closed ► Open	Latching Loopback Enabled Disabled	This switch is used to enable or disable latching loopbacks.
SW1-7 Closed ► Open	Loopback Timeout 20 Minutes None	SW1-7 is used to enable or disable automatic loopback timeout.
SW1-8 Closed ► Open	Loopback Keep Alive AIS All 1s, framed	Sets the data pattern sent to the customer upon FNID network loopback.
SW2-8, 2-7 ► Open, Open Open, Closed .. Closed, Open .. Closed, Closed	DS1 Transmit Level 0 dB -7.5 dB -15 dB -22.5 dB	The DS1 signal level delivered to the customer through the FNID may be selected as one of four values: 0, -7.5, -15, or -22.5 dB.
SW3-1 Closed ► Open	Idle Code Detect Auto Manual	When SW3-1 is closed, auto idle code detection is enabled and the unit selects between 7F (Hex) and FF (Hex).
SW 3-2 Closed Open	Idle Code FF 7F	When SW3-1 is open and SW3-2 is closed, selects FF (Hex). When SW3-2 is open, selects 7F (Hex).
SW4-1-SW4-8 Closed ► Open	Channels 1-8 A/B Signaling Enabled Disabled	This switch enables or disables A/B signaling for Channel 1-8 of the selected FT1 channels.
SW5-1-SW5-5 Closed ► Open	Channels 9-12 A/B Signaling Enabled Disabled	This switch enables or disables A/B signaling for Channels 9-12 of the selected FT1 channels.

FNID
SW1, SW2
20 mA, 60 mA
Off, On





Loop Insertion Loss Data

Frequency (Hz)	Maximum Loss (dB)
3,000	12.0
10,000	15.0
50,000	25.5
100,000	30.0
150,000	32.75
200,000	35.25

NOTE *These approximations are to be used as guidelines only and may vary slightly on different loops. Adhering to these guidelines should produce performance in excess of 10⁻⁷ BER.*

ADTRAN Customer Service:

ADTRAN Telco Technical Support (800) 726-8663
 Standard support hours Monday-Friday
 7 a.m. - 7 p.m. CST
 Emergency support 7 days/week, 24 hours/day
 Sales (800) 827-0807
 RMA (repair service) (205) 963-8722

Repair and Return Address:

ADTRAN, Inc.
 Customer Service Department
 901 Explorer Boulevard
 Huntsville, Alabama 35806-2807

HDSL Loss Values
(200 kHz cable loss in dB/kft at 135Ω)

Cable Gauge	Cable Type	Temperature:		
		68°	90°	120°
26	PIC	3.902	4.051	4.253
26	Pulp	4.030	4.179	4.381
24	PIC	2.863	2.957	3.083
24	Pulp	3.159	3.257	3.391
22	PIC	2.198	2.255	2.333
22	Pulp	2.483	2.45	2.629
19	PIC	1.551	1.587	1.634
19	Pulp	1.817	1.856	1.909