

Documentation for ADTRAN Carrier Networks products is available for viewing and download directly from the ADTRAN Support Community website.

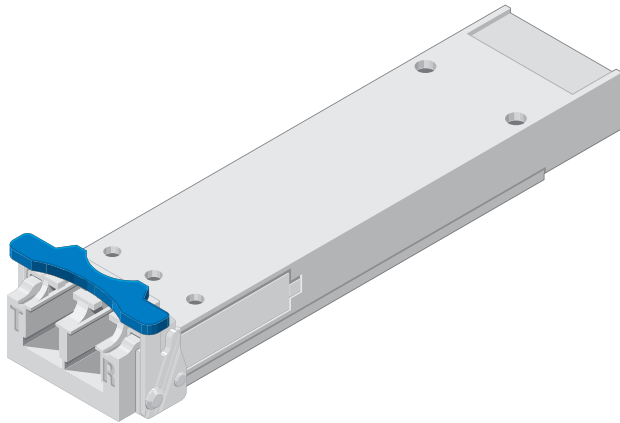
Go to: <https://supportforums.adtran.com/welcome>

Registration is required.

ADTRAN offers training courses on our products, including customized training and courses taught at our facilities or at customer sites.

For inquiries, go to: <http://adtran.com/training>

The following documents provide additional information for this product: SFP/XFP/SFP+ Compatibility Matrix and Engineering Guide



DESCRIPTION

The 8 Gigabit Fibre Channel 10 Km XFP, 1310 nm (XFP) optical transceiver is a fully duplex serial electric, serial optic device. It has both transmit and receive functions and provides a high speed serial link at 8.5 Gb/s. Installed into an appropriate host module, the XFP provides a 8 Gigabit interface to the supporting system.

The transmit side of the XFP converts serial NRZ electrical data at the 8.5 Gb/s line rate to a standard compliant optical signal. The receive side of the XFP converts the incoming DC balanced serial NRZ optical data at the 8.5 Gb/s line rate into serial electrical data.

NOTE

To ensure compatibility, refer to the ADTRAN documentation provided with the host module.

The XFP has the following features:

- 1310 nm optical signals for up to 10 km reach
- Low power consumption (<2.0 W max for 10 km)
- Bit error rate (<1x10⁻¹²)
- Excellent EMI performance

CAUTION

Due to compliance certification requirements, use only XFPs supplied by ADTRAN with the host module. ADTRAN cannot certify system integrity with other XFPs.

Operational Specifications

- Optical Specifications:
 - ◆ Transmit wavelength: 1260 to 1355 nm (1310 nm nominal)
 - ◆ Receive wavelength: 1260 to 1600 nm
 - ◆ Data rate: 8.5 Gb/s (8G Fibre Channel)
 - ◆ Optical transmit level: -8.2 to +0.5 dBm
 - ◆ Optical receive level: -14.4 to +0.5 dBm
 - ◆ Optical distance: 10 km maximum
 - ◆ Optical connectors: LC
- Extended Environmental Support:
 - ◆ Operational temperature range: -40°C to +85°C
 - ◆ Storage temperature range: -40°C to +85°C
 - ◆ Relative humidity to 85%, noncondensing

INSTALLATION

Inspect the XFP. If damaged, file a claim with the carrier and then contact ADTRAN Customer Service.

To install the XFP into an appropriate module, complete the following steps:

1. Insert the XFP into the XFP cage on the circuit board of the host module with the latch handle facing outward. Slide the XFP all the way into the receptacle.

NOTE

The latch on the XFP is for removal only. When removing the XFP, rotate the latch away from the XFP cage until a physical click occurs. The XFP should slide easily out of the cage.

2. Using thumb and forefinger, exert adequate pressure to ensure the XFP is completely seated in the XFP cage.
3. Do not remove the connector plug until the optical fiber connection is made.

NOTICE

We recommend that the connector plug remain on whenever the transceiver optical fiber connector is not inserted.

4. Continue the installation and turn-up of the host module using the instructions in the Job Aid provided with that module, or by using the applicable Total Access 5000 Series Deployment Guide or User Interface Guide, available online at www.adtran.com.

SAFETY AND REGULATORY COMPLIANCE

- Read all warnings and cautions before installing or servicing this equipment.

CAUTION

This product is a Class 1 Laser Product and complies with the Laser Safety requirements of FDA 21CFR 1040.10 and 1040.11, and EN60825-1 and -2. The XFP is NRTL listed and CB Certified to all applicable American and European safety standards. For continued compliance with the above laser safety standards, only approved Class 1 modules from our approved vendor list, located on the ADTRAN website, should be installed in ADTRAN products.

CAUTION

- Electrostatic Discharge (ESD) can damage electronic modules. When handling modules, wear an antistatic discharge wrist strap to prevent damage to electronic components. Place modules in antistatic packing material when transporting or storing. When working on modules, always place them on an approved antistatic mat that is electrically grounded.
- This product meets or exceeds all the applicable requirements of NEBS, Telcordia GR-63-CORE, and GR-1089-CORE. This product is intended for deployment in Central Office type facilities, EEEs, EECs, and locations where the NEC applies (for example, Customer Premises). This product is to be installed in ADTRAN products in Restricted Access Locations only, and installed by trained service personnel.
- Per GR-1089-CORE, the ADTRAN system in which this product is being deployed is designed and intended for installation as part of a Common Bonding Network (CBN). The ADTRAN system in which this product is being deployed is not designed nor intended for installation as part of an Isolated Bonding Network (IBN).
- Per GR-1089-CORE Section 9, this product does not have an internal DC connection between battery return and frame ground. The XFP can be installed in a DC-I (isolated) or DC-C (common) installation. For installations where other cards or the host system have internal connections between battery return and frame ground, the system would be intended for deployment only in a DC-C installation.
- The ADTRAN system chassis frame ground terminal must be connected to a reliable earth ground to ensure that the metal enclosure of this product is properly grounded via the backplane connector.

NOTE

The Gigabit Ethernet port(s) are optical and therefore are not classified as any type of port as defined in Appendix B of GR-1089-CORE Issue 6.

This product is designed to meet the following environmental classes:

- GR-3108-CORE Environmental Classes 1, 2, and 3.
- ETSI EN 300 019-1-1 "Classification of environmental conditions; Storage," Class 1.2
- ETSI EN 300 019-1-2 "Classification of environmental conditions, Transportation," Class 2.3
- ETSI EN 300 019-1-3 "Classification of environmental conditions, Stationary use at weather-protected locations," Class 3.3

The equipment is designed to function without degradation during exposure to all test severities per Class 3.3.

This device complies with FCC 47 CFR Part 15, Class B. Operation is subject to the following two conditions:

1. This device may not cause harmful interference.
2. This device must accept any interference received, including interference that may cause undesired operation.

Changes or modifications not expressly approved by ADTRAN could void the user's authority to operate this equipment.

Warranty: ADTRAN will replace or repair this product within the warranty period if it does not meet its published specifications or fails while in service. Warranty information can be found online at www.adtran.com/warranty.



ADTRAN CUSTOMER CARE:

From within the U.S. 1.800.726.8663
From outside the U.S. +1 256.963.8716

PRICING AND AVAILABILITY 1.800.827.0807

