

Documentation for ADTRAN Carrier Networks products is available for viewing and download directly from the ADTRAN Support Community website.

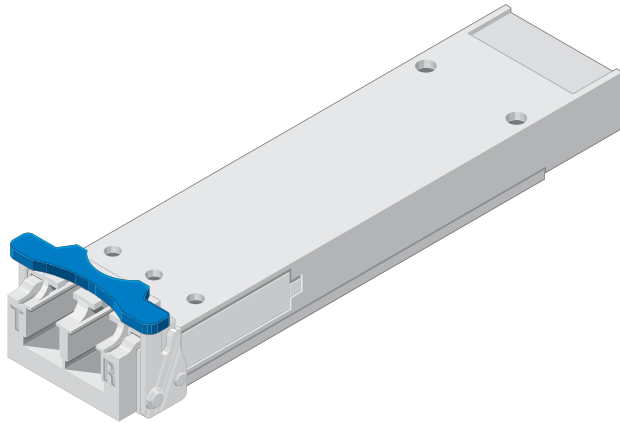
Go to: <https://supportforums.adtran.com/welcome>

Registration is required.

ADTRAN offers training courses on our products, including customized training and courses taught at our facilities or at customer sites.

For inquiries, go to: <http://adtran.com/training>

The following documents provide additional information for this product:
SFP/XFP/SFP+ Compatibility Matrix and Engineering Guide



DESCRIPTION

The Small Form-Factor Pluggable 11.3 Gigabit Multi-Mode Fiber XFP (MMF XFP) optical transceiver is a fully duplex serial electric, serial optic device with both transmit and receive functions contained in a single module that provides a high speed serial link at 11.3 Gb/s. Installed into an appropriate host module, the MMF XFP provides a 11.3 Gigabit interface to the supporting system.

The transmit side of the MMF XFP converts serial NRZ electrical data at the 11.3 Gb/s line rate to a standard compliant optical signal. The receive side of the MMF XFP converts the incoming DC balanced serial NRZ optical data at the 11.3 Gb/s line rate into serial electrical data.

NOTE

To ensure compatibility, refer to the documentation provided with the host module.

The following features are supported on the MMF XFP:

- 850 nm optical signals for up to 300 m reach
- Case temperature hardened range from -40°C to 85°C
- Bit error rate (<math><1 \times 10^{-12}</math>)
- Low power consumption (<math><1.5</math> W)
- Excellent EMI performance

CAUTION

Due to compliance certification requirements, only XFPs supplied by ADTRAN are to be used with the host module. ADTRAN cannot certify system integrity with other XFPs.

Operational Specifications

- Optical Specifications:
 - ◆ Transmit Wavelength: 840 nm to 860 nm
 - ◆ Receive Wavelength: 840 nm to 860 nm
 - ◆ Data rate: 9.95 Gb/s to 11.3 Gb/s
 - ◆ Optical transmit level: -5.0 dBm to -1.0 dBm
 - ◆ Optical receive level sensitivity: -11.1 dBm
 - ◆ Optical distance: 300 m maximum
 - ◆ Optical connectors: LC
- Extended Environmental Support:
 - ◆ Operational temperature range: -40°C to +85°C
 - ◆ Storage temperature range: -40°C to +85°C
 - ◆ Relative humidity to 85%, noncondensing

INSTALLATION

Inspect the MMF XFP. If damaged, file a claim with the carrier and then contact ADTRAN Customer Service.

Installation Guidelines

The following are guidelines for this installation.

- The latch on the MMF XFP is for removal only. When removing the MMF XFP, rotate the latch away from the XFP cage until a physical click occurs. The MMF XFP should slide easily out of the cage.
- Ensure that the connector plug remains on whenever the transceiver optical fiber connector is not inserted.

Installation Steps

To install the MMF XFP into an appropriate module, complete the following steps:

1. Insert the MMF XFP into the XFP cage on the circuit board of the host module with the latch handle facing outward. Slide the MMF XFP all the way into the receptacle.
2. Using thumb and forefinger, exert adequate pressure to ensure the MMF XFP is completely seated in the XFP cage.
3. Do not remove the connector plug until the optical fiber connection is made.
4. Continue the installation and turn-up of the host module using the instructions provided with that module.

PROVISIONING

The MMF XFP is not directly provisionable. To provision the MMF XFP, refer to the “Provisioning” section of the Job Aid with the host module for provisioning details.

SAFETY AND REGULATORY COMPLIANCE

Refer to the Small Form-Factor Pluggable 11.3 Gigabit Multi-Mode Fiber XFP *Safety and Regulatory Compliance Notice* (P/N 61442901G1-17) for detailed safety and regulatory information.



For more information, refer to the Installation and Maintenance Guide (P/N 61442901G1-5) available online at www.adtran.com.

Warranty: ADTRAN will replace or repair this product within the warranty period if it does not meet its published specifications or fails while in service. Warranty information can be found online at www.adtran.com/warranty.

©2014 ADTRAN, Inc. All Rights Reserved.



PRICING AND AVAILABILITY 800.827.0807

TECHNICAL SUPPORT 800.726.8663

RETURN FOR REPAIR 256.963.8722



* 6 1 4 4 2 9 0 1 G 1 - 2 2 B *