

TSU ESP Status Menu Tree

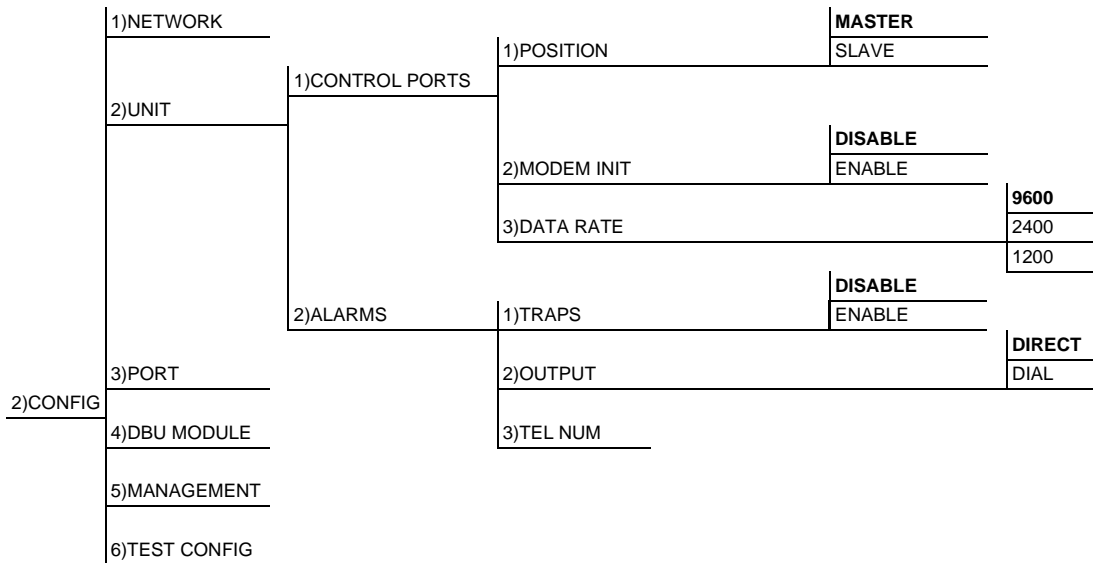
1) STATUS	1) N1 PERF RPTS	RESET PERF CNTRS		
		%AV 15MIN/24HR		
		%EF 15MIN/24HR		
	2) CURR ERR/ALM	SES 15MIN/24HR	LOSS OF SIGNAL	
		ES 15MIN/24HR	AIS ALARM	
		UAS 15MIN/24HR	OUT OF FRAME	
	3) ERR/ALM HIST	CLEAR HISTORY	YELLOW ALARM	
		LOSS OF SIGNAL	RED ALARM	
		AIS ALARM	CODE VIOLATIONS	
		OUT OF FRAME	BIPOLAR VIOL	
		YELLOW ALARM	FRAME BIT ERRORS	
		RED ALARM	PLL ALARM	
		CODE VIOLATIONS		
BIPOLAR VIOL				
FRAME BIT ERRORS				
PLL ALARM				
4) DBU STATUS		DCD DTR DSR		
		RTS CTS RI		
		DBU SECS IN DBU		
		DBU LINE STATUS		

TSU ESP Network Configuration Menu Tree

2)CONFIG	1)NETWORK	1)FORMAT	AUTO	
			ESF	
			D4	
		2)CODE		B8ZS
				AMI
		3)YEL ALARM		ENAB
				DISA
		4)XMIT PRM	OFF	
		ON		
	5)CLOCK SOURCE		NETWORK	
			INTERNAL	
			DTE	
	6)BIT STUFFING	DISABLE		
		ENABLE	0.0	
			AUTO	
	7)SET LBO		22.0	
			15.0	
			7.5	
	8)RX SENSITIVITY		NORMAL	
			EXTENDED	
	2)UNIT			
	3)PORT			
	4)DBU MODULE			
	5)MANAGEMENT			
	6)TEST CONFIG			

Factory defaults are in bold type.

TSU ESP Unit Configuration Menu Tree



Factory defaults are in bold type.

TSU ESP Port Configuration Menu Tree

2)CONFIG	1)NETWORK			
	2)UNIT	1)RATE 56/64	64 56	
		3)PORT	2)CHANNELS	CONT ALT
	3)DTE TX CLK			AUTO INT_INV EXTERNAL INTERNAL
		4)START CHAN		
		5)# OF CHAN		
	4)DBU MODULE	6)DATA	NORMAL INVERTED	
		5)MANAGEMENT	7)CTS	NORMAL FORCE ON
	6)TEST CONFIG		8)DCD	NORMAL FORCE ON
		9)DSR	NORMAL FORCE ON	
		A)INBAND	OFF AUTO ON	

Factory defaults are in bold type.

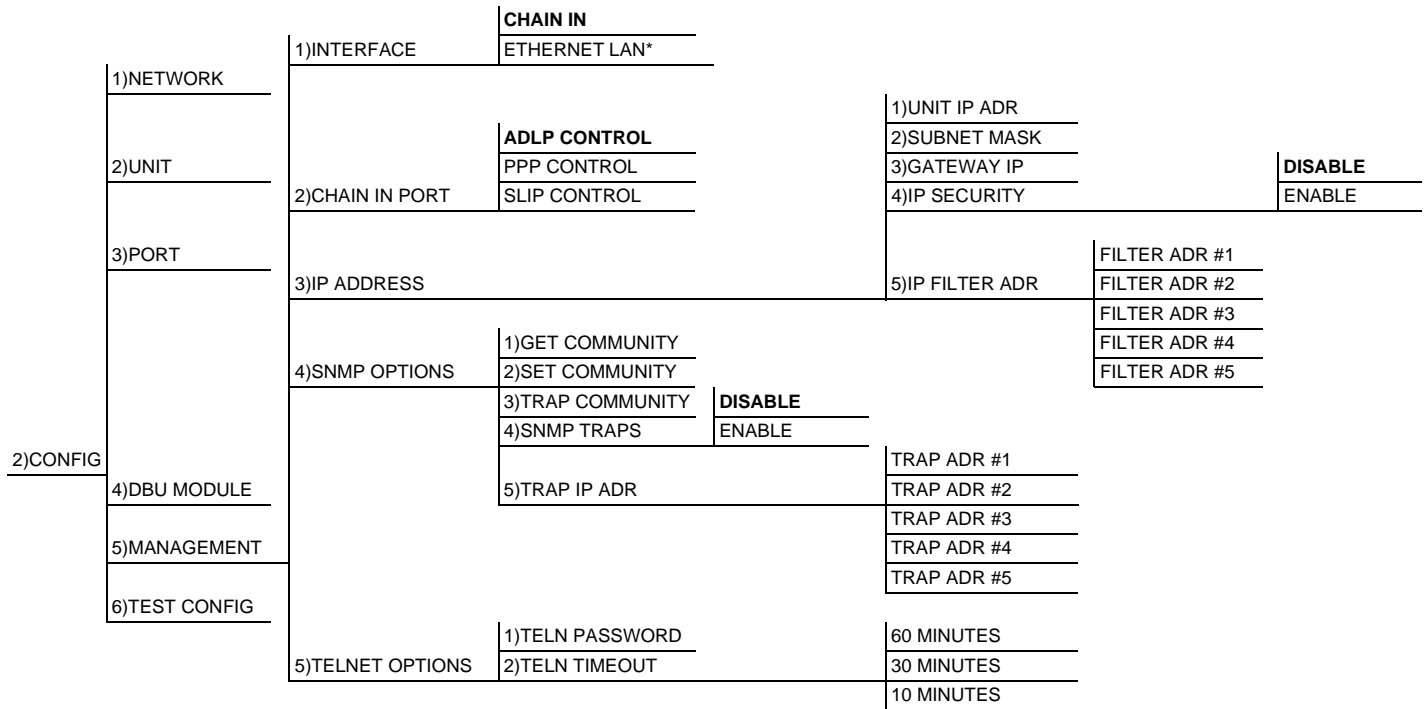
TSU ESP DBU Module Configuration Menu Tree

2)CONFIG	1)NETWORK	1)ISDN OPTIONS*		1)BACKUP RATE	Nx64	
			DISABLE		Nx56	2B CHANNELS
	2)UNIT		ANSWER ALWAYS	2)NUM CHANNELS		1B CHANNEL
			ANSWER		AT&T 5ESS	
		2)BACKUP MODE	ORIGINATE	3)SWITCH TYPE	NATIONAL ISDN 1	
					NT DMS-100	
	3)PORT			4)LOC DIR NUMS		LDN 1
		3)BACKUP ON	NETWORK FAIL			LDN 2
			NET/DATA FAIL			
				5)SPID NUMBERS	SPID NUMBER 1	
		4)WKEND LOCKOUT	DISABLE		SPID NUMBER 2	
			ENABLE	6)DBU HUNT OPT		DISABLE
		5)ENABLE HR				ENABLE
				7)PHONE NUMBERS	#0	
			1 MIN		#1	
	4)DBU MODULE	6)DISABLE HR	30 SEC		#2	
			10 SEC		#3	
			3 SEC		#4	
	5)MANAGEMENT		1 SEC	1 MIN	#5	
		7)BACKUP DELAY	NEVER	30 SEC	#6	
			10 MIN	10 SEC	#7	
	6)TEST CONFIG		5 MIN	3 SEC	#8	
		8)RESTORE DELAY		1 SEC	#9	
				NEVER		
				10 MIN		
		9)RETRY DELAY	1 MIN	5 MIN		
			30 SEC			
			10 SEC			
			3 SEC			
			1 SEC			
			NEVER			
			10 MIN			
			5 MIN			
		A)NUM RETRIES				

Factory defaults are in bold type.

*Options will vary depending on type of DBU card installed.

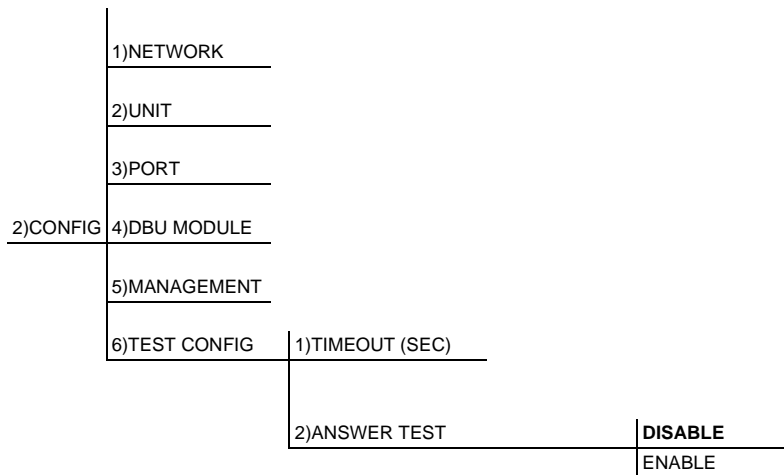
TSU ESP Management Configuration Menu Tree



Factory defaults are in bold type.

*With installed ESP 10BaseT LAN Module.

TSU ESP Test Configuration Menu Tree



Factory defaults are in bold type.

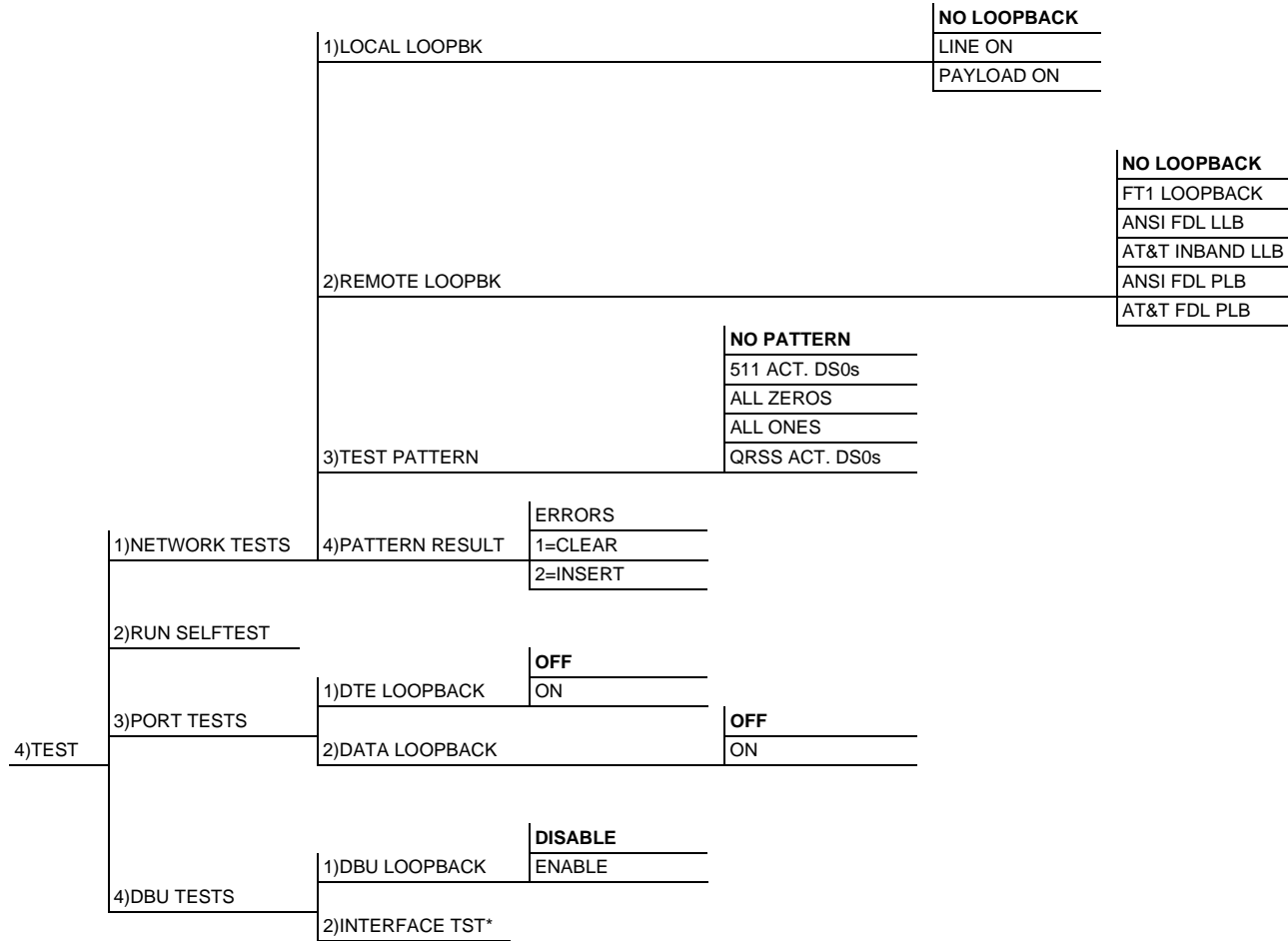
TSU ESP Utility Menu Tree

3)UTIL	1)TIME/DATE	1)TIME	
		2)DATE	
	2)SOFTWARE REV.		REVISION
			CHECKSUM
	3)LAN MAC ADDR		MAC ADDRESS
	4)FACT RESTORE		
	5)UNIT ID		
	6)SET PASSCODE		
	7)KEYPAD	UNLOCKED	
		LOCKED	
			1)DIAL STORED #
			2)ENTER DIAL #
	8)DBU UTILITIES*	1)FORCED BACKUP	3)END FORCED DBU
		2)FORCED RESTORE	
	9)FRAMER/LIU		1)TYPE/REVISION
A)PRODUCT REV		2)T1 RX LEVEL	
B)SERIAL NUMBER			

Factory defaults are in bold type.

*Options will vary depending on type of DBU card installed.

TSU ESP Test Menu Tree



Factory defaults are in bold type.

*Option only available with the External DCE DBU card (P/N 1204006L1).