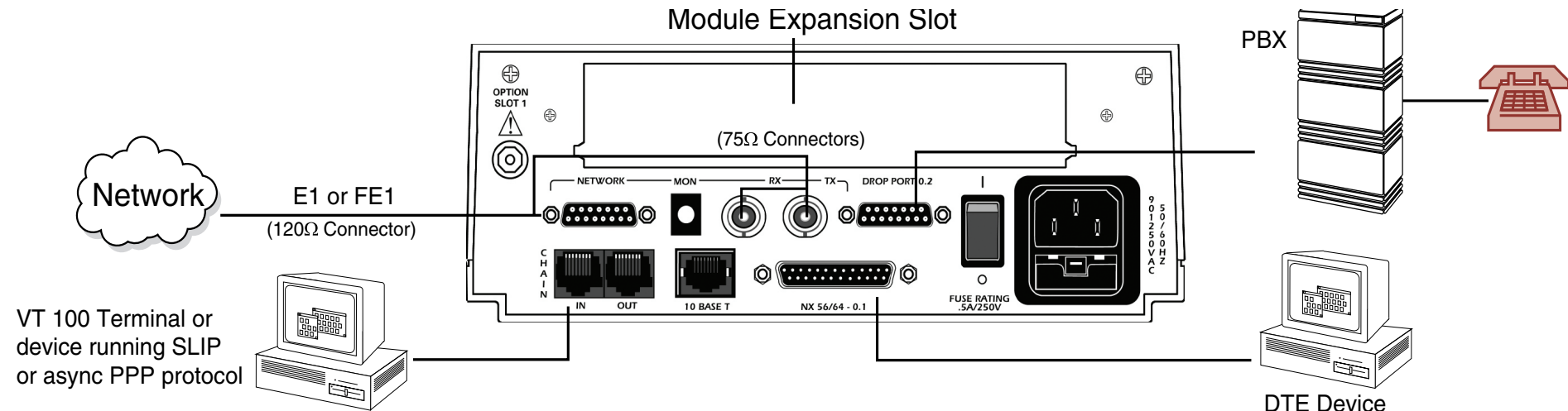


Module Expansion Slot



NETWORK CONNECTION PINOUT

Pin	Name	Description
1	TX DATA	Transmit data towards the Network
2, 4, 5, 7	GROUND	Frame Ground
3	RX DATA	Receive data from the Network
6, 8, 10, 12-15	UNUSED	—
9	TX DATA	Transmit data towards the Network
11	RX DATA	Receive data from the Network

REAR PANEL DESCRIPTIONS

Network Connector	Connection to E1 or FE1 circuit (DB-15 or BNC)
Test Interface	Bantam jack provided for monitoring and testing
Control In/Out	Connection to a VT100 terminal
Nx 56/64 Connector	High-speed DTE interface
Module Slot	For use with available ESU 120e option modules
Power Switch	Turns power to the ESU 120e on or off
Power Connection	Power cord IEC connection for a reliably grounded 90-240 VAC, 50-60 Hz power source

INSTALLATION INFORMATION

- A 120Ω DB-15 interface or two 75Ω BNC connectors for transmit and receive (labeled **NETWORK**) are provided to connect to the network T1 circuit. The pinout is provided on this Quick Start Guide. See *Chapter 2, Installation*, of the ESU 120e User Manual for more information.
- The rear panel contains a single DB-25 Nx 56/64 interface for connecting to DTE equipment and a G.703 interface for a PBX. The pinouts for these interfaces are located in *Appendix C* of the ESU 120e User Manual.
- The ESU 120e provides a single option module expansion slot for use with available ESU 120e modules including Nx 56/64 V.35, Nx 56/64 530, Dual Nx 56/64 V.35, Nx DBU, and Router Modules. For more information on the supported modules, refer to *Chapter 1* of the ESU 120e User Manual.
- When shipped from the factory, the ESU 120e is uninitialized and set to factory default conditions. At the first application of power, the unit will automatically execute self-tests followed by an initialization sequence.
- The ESU 120e can be configured and controlled using the local front panel of the unit or from ADTRAN's PC Control Program, T-Watch PRO™. A limited menu tree is provided on the back of this sheet. For more detailed menu information, refer to the ESU 120e User Manual.
- Additional information can be found on the product CD which contains the ESU 120e User Manual and Data Sheets.

MENU TREE - OVERVIEW

