

# Adtran

## Quick Start Guide

# SDG CPE Wall Mount 2

## SDG CPE Wall Mount Kit 2

November 2022  
617600193F1-13B

P/N: 17600193F1  
17600198F1

## Overview



### WARNING!

Read all warnings, cautions, notes and installation instructions before installing or servicing this equipment.

This quick start guide describes how to install Adtran's SDG CPE Wall Mount 2 mounting kit. This kit can be used with Adtran's 831-t5, 834-v6, and 841-t6 Service Delivery Gateways (SDGs). There are two color options for the SDG CPE Wall Mount 2 mounting kit: the black wall mounting kit (PN: 17600193F1) and the white wall mounting kit (PN: 17600198F1).

## Package Contents

- Adtran's SDG CPE Wall Mount 2 mounting bracket
- Screws and wall anchors

## Prior to Installation

Before installing the wall mount bracket, inspect it for damage. If damage has occurred during shipping, file a claim with the carrier, and then contact Adtran Customer Support.

## Required Tools

A #2 Phillips-head screwdriver, drill and 1/4" (6mm) drill bit are required for installing the SDG CPE Wall Mount 2 mounting bracket.

## Installing the Wall Mount Kit

Decide on a location for the gateway you want to mount on a wall, and follow these steps:

1. Use the keyholes on the wall mount kit as a template and mark the wall accordingly. See [Figure 1](#).

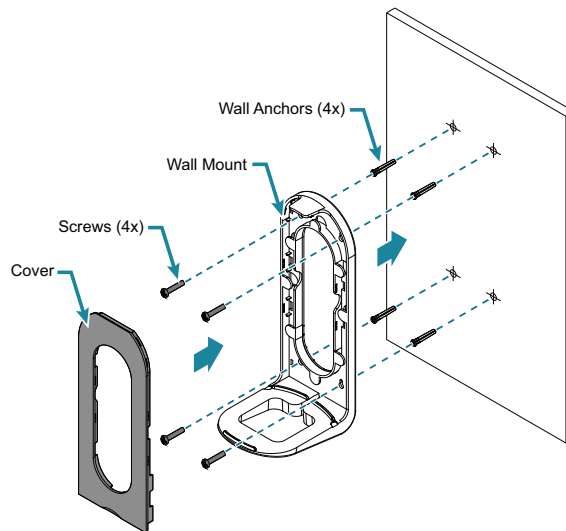


Figure 1. Wall Mount Installation Kit



### WARNING!

WARNING indicates a hazard which, if not avoided, could result in death, injury or serious property damage.



### CAUTION!

CAUTION indicates a hazard which, if not avoided, could result in service interruption, damage to the equipment, or minor property damage.



### NOTE

NOTES inform the user of additional, but important, information or features.

2. Drill holes using a 1/4" (6mm) drill bit into the marks on the wall.
3. Use a hammer to lightly tap the included wall anchors into the drilled holes until anchors are flush with the wall.
4. Install four screws (included) into the anchors. Leave approximately 1/4 inch (6 mm) protruding from the mounting surface.
5. Slide the wall mount over the screws and exert a small amount of downward pressure to ensure that the top of the slots are resting on the shafts of the screws.
6. For SDG devices that have a Fiber interface, wrap any excess incoming fiber inside the wall mount before installing the cover.
7. Secure the wall mount cover plate (snap-in). See [Figure 2](#).
8. Insert the device into the wall mount, base first. Then, snap the top support of the wall mount into place on the device.

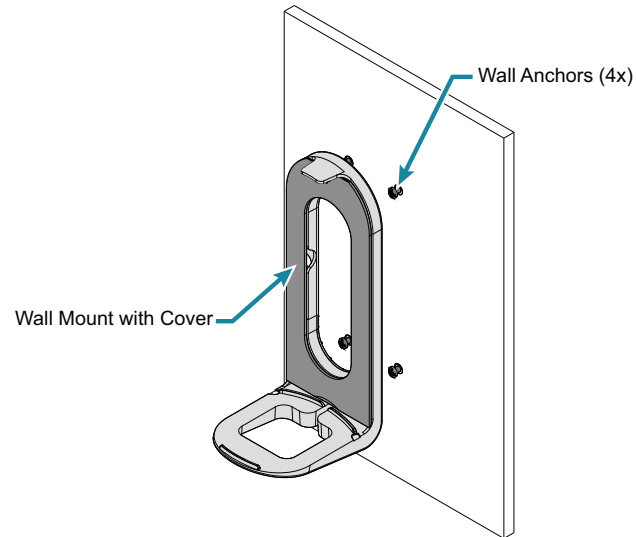


Figure 2. Wall Mount Ready for Device

9. Once the mount is securely attached to the wall, the installation is complete.



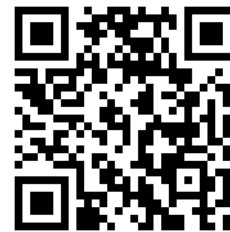
#### NOTE

SDG device wiring, powering, and operating instructions are available in the Quick Start Guide associated with the SDG product. All quick start guides are available online in the [Service Delivery Gateways \(SDGs\)](#) documentation space of the [Adtran Support Community](#).

Additional product information, quick start guides, and configuration guides provide additional information for Adtran's SDG products are available online at <https://supportcommunity.adtran.com>.

For ADTRAN training inquiries, visit: <http://adtran.com/training>

Access additional safety information and product documentation using the QR code or website link.



<https://supportcommunity.adtran.com>

**Warranty:** ADTRAN will replace or repair this product within the warranty period if it does not meet its published specifications or fails while in service. Warranty information can be found online at [www.adtran.com/warranty-terms](http://www.adtran.com/warranty-terms).

**Trademarks:** Brand names and product names included in this document are trademarks, registered trademarks, or trade names of their respective holders.

Copyright © 2022 ADTRAN, Inc. All Rights Reserved.



**ADTRAN CUSTOMER CARE:**

From within the U.S. 1.888.423.8726

From outside the U.S. +1 256.963.8716

**PRICING AND AVAILABILITY 1.800.827.0807**

